



*Up-to-date Questions and Answers from authentic resources to improve knowledge and pass the exam at very first attempt. ---- Guaranteed.*



*JN0-649 Dumps  
JN0-649 Braindumps  
JN0-649 Real Questions  
JN0-649 Practice Test  
JN0-649 Actual Questions*



**Juniper**

**JN0-649**

*Enterprise Routing and Switching Professional (JNCIP-ENT)*



## Question: 138

Referring to the exhibit, which two statements are correct? (Choose two.)

```
user@router> show bgp neighbor 192.168.100.2
Peer: 192.168.100.2+179 AS 65000 Local: 192.168.100.1+58355 AS 65000
  Group: overlay          Routing-Instance: master
  Forwarding routing-instance: master
  Type: Internal    State: Established (route reflector client)Flags: <Sync>
  Last State: OpenConfirm  Last Event: RecvKeepAlive
  Last Error: None
  Options: <LocalAddress Cluster AddressFamily Multipath Rib-group Refresh>
  Options: <GracefulShutdownRcv>
  Address families configured: evpn
  Local Address: 192.168.100.1 Holdtime: 90 Preference: 170
  Graceful Shutdown Receiver local-preference: 0
  Number of flaps: 0
  Peer ID: 192.168.100.2   Local ID: 192.168.100.1   Active Holdtime: 90
  Keepalive Interval: 30   Group index: 2   Peer index: 3   SNMP index: 10
  I/O Session Thread: bgpio-0 State: Enabled
  BFD: disabled, down
  NLRI for restart configured on peer: evpn
  NLRI advertised by peer: evpn
  NLRI for this session: evpn
  Peer supports Refresh capability (2)
  Stale routes from peer are kept for: 300
  Peer does not support Restarter functionality
  Restart flag received from the peer: Notification
  NLRI that restart is negotiated for: evpn
  NLRI of received end-of-rib markers: evpn
  NLRI of all end-of-rib markers sent: evpn
  Peer does not support LLGR Restarter functionality
```

```

I/O Session Thread: bgpio-0 State: Enabled
BFD: disabled, down
NLRI for restart configured on peer: evpn
NLRI advertised by peer: evpn
NLRI for this session: evpn
Peer supports Refresh capability (2)
Stale routes from peer are kept for: 300
Peer does not support Restarter functionality
Restart flag received from the peer: Notification
NLRI that restart is negotiated for: evpn
NLRI of received end-of-rib markers: evpn
NLRI of all end-of-rib markers sent: evpn
Peer does not support LLGR Restarter functionality
Peer supports 4 byte AS extension (peer-as 65000)
Peer does not support Addpath
NLRI(s) enabled for color nexthop resolution: evpn
Table bgp.evpn.0 Bit: 20000
  RIB State: BGP restart is complete
  RIB State: VPN restart is complete
  Send state: in sync
  Active prefixes:                0
  Received prefixes:              0
  Accepted prefixes:              0
  Suppressed due to damping:      0
  Advertised prefixes:            15
Last traffic (seconds): Received 9   Sent 20   Checked 91232
Input messages:  Total 3335   Updates 16   Refreshes 0   Octets 64872
Output messages: Total 3335   Updates 15   Refreshes 0   Octets 64872
Output Queue[1]: 0                (bgp.evpn.0, evpn)

```

- A. The BGP neighbor can advertise L3 VPN related routes.
- B. The BGP neighbor cannot advertise EVPN related routes.
- C. The BGP neighbor can advertise EVPN related routes.
- D. The BGP neighbor cannot advertise L3 VPN related routes.

**Answer: A,C,D**

### Question: 139

Referring to the exhibit, which two statements are correct? (Choose two.)

```

user@switch> show poe interface
Interface      Admin      Oper      Max      Priority   Power      Class
               status     status    power
ge-0/0/0       Enabled    OFF       15.4W    Low        0.0W       not-applicable
ge-0/0/1       Enabled    OFF       15.4W    Low        0.0W       not-applicable
ge-0/0/2       Enabled    OFF       15.4W    Low        0.0W       not-applicable
ge-0/0/3       Enabled    OFF       15.4W    Low        0.0W       not-applicable
ge-0/0/4       Enabled    OFF       15.4W    Low        0.0W       not-applicable
ge-0/0/5       Enabled    OFF       15.4W    Low        0.0W       not-applicable
ge-0/0/6       Enabled    OFF       15.4W    Low        0.0W       not-applicable
ge-0/0/7       Enabled    OFF       15.4W    Low        0.0W       not-applicable
ge-0/0/8       Enabled    OFF       15.4W    Low        0.0W       not-applicable
ge-0/0/9       Enabled    OFF       15.4W    Low        0.0W       not-applicable
ge-0/0/10      Enabled    ON        25.4W(L) Low        11.0W      4
ge-0/0/11      Enabled    ON        25.4W(L) High       11.4W      4

```

(L) LLDP-negotiated value on the port.

```

user@switch> show poe controller
Controller      Maximum      Power      Guard      Management  Status      Lldp
index          power        consumption band
0              100.00W     22.40W     10W        Class       AT_MODE     Disabled

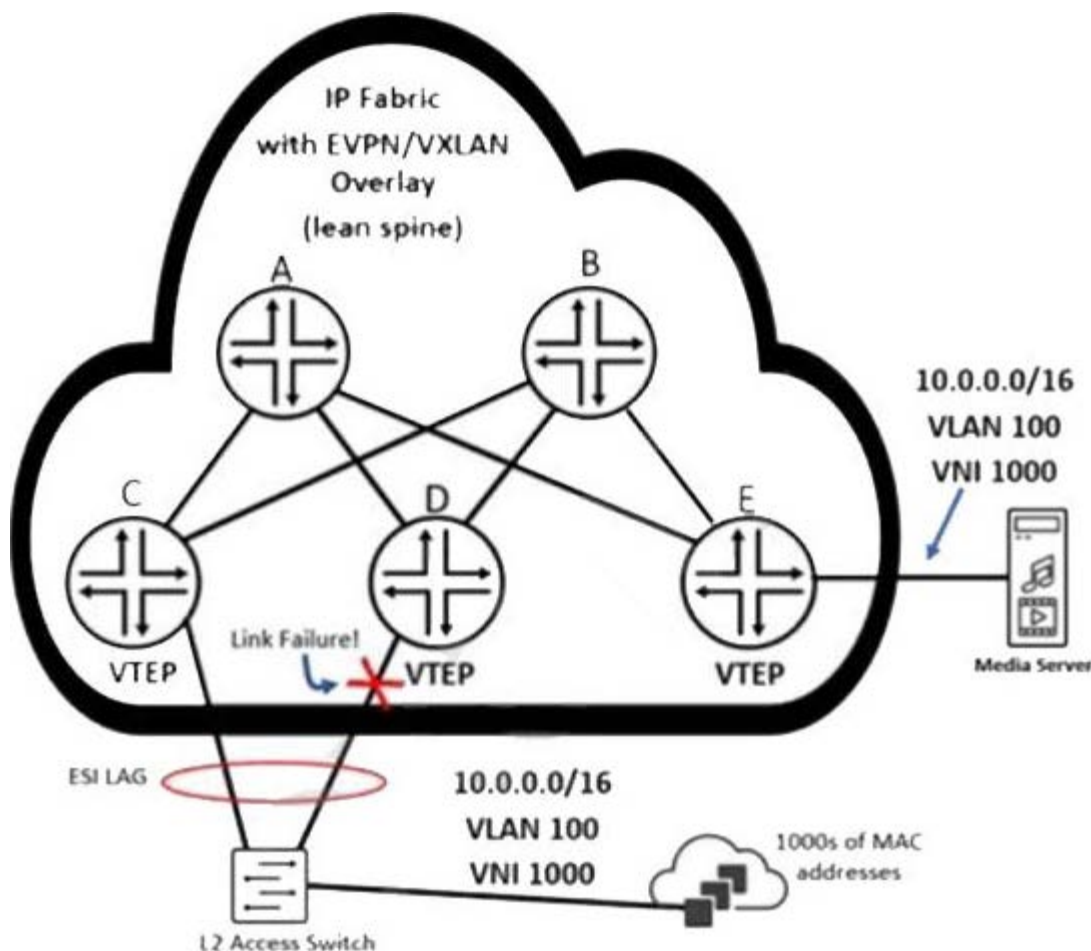
```

- A. The maximum wattage that this switch can allocate to attached Ethernet devices is 100 watts.
- B. If the total power consumption exceeds 90 watts, the ge-0/0/11 interface will continue to receive power.
- C. PoE is not enabled on the ge-0/0/0 interface.
- D. The ge-0/0/10 interface supports PoE+.

**Answer: A,D**

**Question: 140**

Referring to the exhibit, how will router E quickly learn that the remote MAC addresses are no longer reachable through the router attached to the failed link?



- A. Router E receives Type 2 withdrawal messages from router
- B. Router E receives Type 1 withdrawal messages from router
- C. Router E receives Type 1 withdrawal messages from router
- D. Router E receives Type 2 withdrawal messages from router

**Answer: A,D**

**Question: 141**

You are deploying new Juniper EX Series switches in a network that currently is using Cisco's Per-VLAN spanning tree plus (PVST+) and you must provide compatibility with this environment.

Which spanning tree protocol do you deploy in this scenario?

- A. STP
- B. MSTP
- C. VSTP
- D. RSTP

**Answer: A**

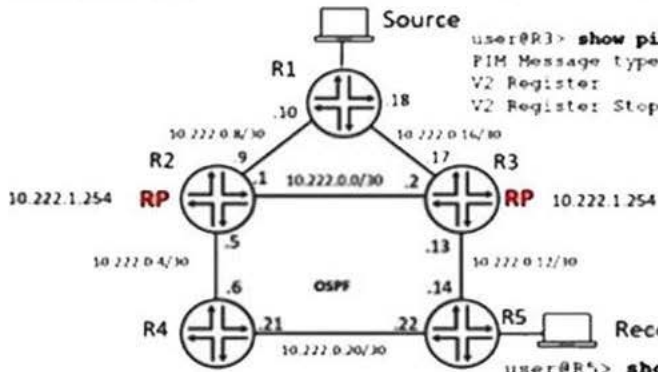
**Question: 142**

Referring to the exhibit, anycast RP is implemented to ensure multicast service availability.

```

user@R1> show pim statistics | match "(PIM Message type)| (V2 Register)"
PIM Message type      Received      Sent  Rx errors
V2 Register            0             857      0
V2 Register Stop      0             0         0

```



```

user@R3> show pim statistics | match "(PIM Message type)| (V2 Register)"
PIM Message type      Received      Sent  Rx errors
V2 Register            857           0         0
V2 Register Stop      0             0         0

```

```

user@R5> show pim join
...
Group: 239.1.1.1
Source: 10.222.3.2
Flags: sparse,spt
Upstream interface: ge-0/0/12.0

```

The source is currently sending multicast traffic using group 239.1.1.1 and R3 is receiving PIM register messages, but R2 does not have active source information.

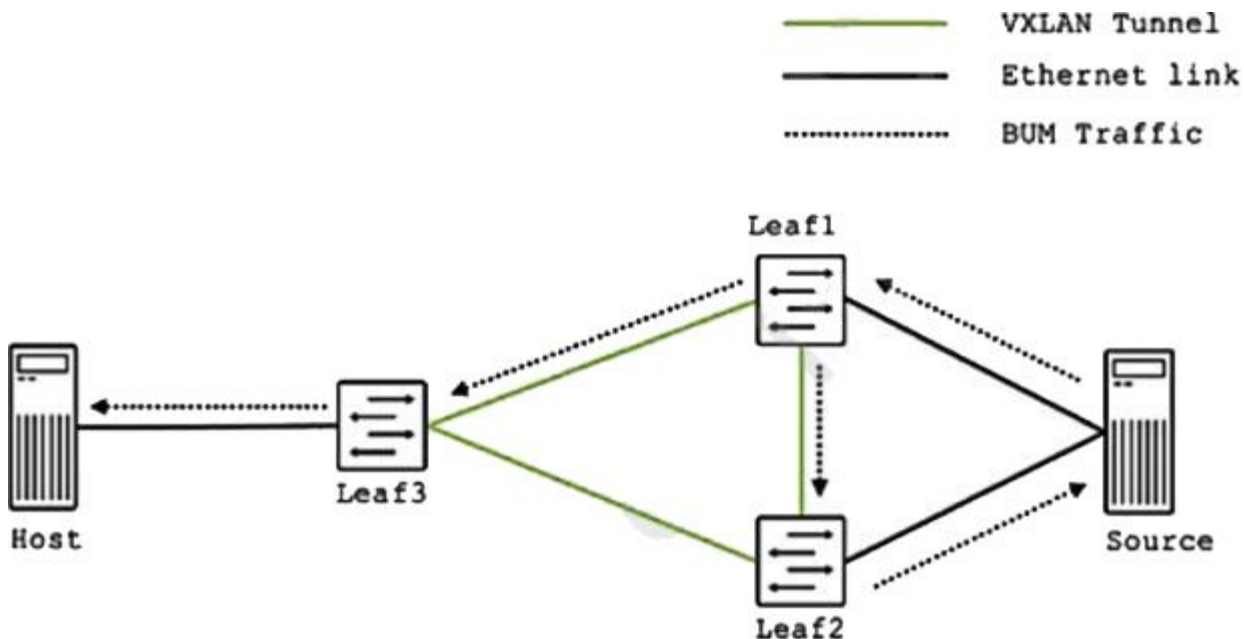
In this scenario, what are two methods to receive the active source information on R2? (Choose two.)

- A. Configure an RP set in PIM on R1, allowing R1 to forward PIM register messages to R2 and R3 in the set.
- B. Configure an MSDP protocol between R2 and R3.
- C. Configure an RP set in PIM on R2 and R3, allowing the RPs to forward PIM register messages to the other RPs in the set.
- D. Configure an MSDP protocol between R1 and R2.

**Answer: A,C**

**Question: 143**

You are troubleshooting an EVPN-VXLAN IP fabric and observe the loop shown in the exhibit.



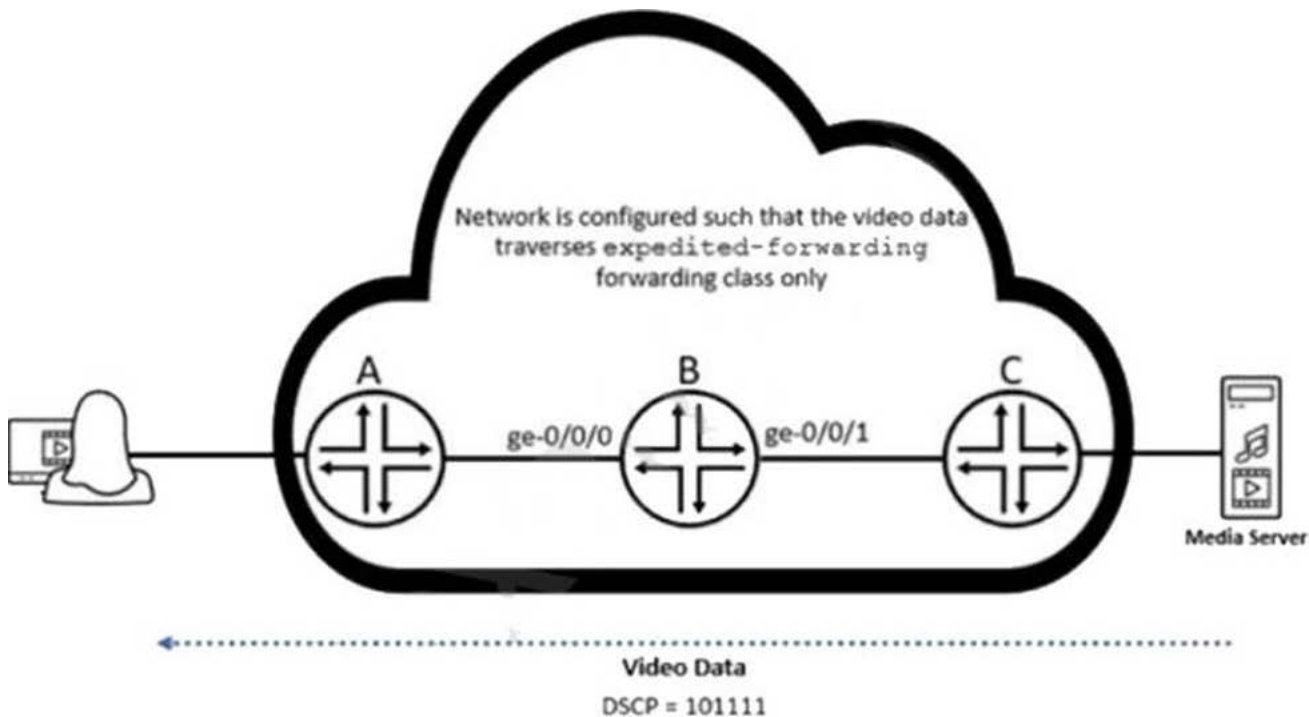
Which two steps would you take to further troubleshoot this problem? (Choose two.)

- A. Verify that the same ESI is configured on the link from the host and that it matches the source.
- B. Issue the `show route table bgp.evpn.0` command on Leaf2 and verify that Type 4 routes are present.
- C. Issue the `show route table bgp.evpn.0` command on Leaf2 and verify that Type 3 routes are present.
- D. Verify that the same ESI is configured on the two links from the source.

**Answer: A,B,C**

### Question: 144

A user is attempting to watch a high-definition video being streamed from the media server over the network. However, the user complains that the experienced video quality is poor. While logged on to router B, a Juniper Networks device, you notice that video packets are being dropped.



In this scenario, what would solve this problem?

- A. Adjust the scheduler for the expedited-forwarding forwarding class to support a higher transmit rate.
- B. Adjust the expedited-forwarding BA classifier to router B's `ge-0/0/0` interface to support a higher transmit rate.
- C. Adjust the scheduler-map to support a higher transmit rate.
- D. Adjust the expedited-forwarding BA classifier on router B's `ge-0/0/1` interface to support a higher transmit rate.

**Answer: D**

### Question: 145

Your enterprise network uses routing instances to support multitenancy. Your Junos devices use BGP to peer to multiple BGP devices. You must ensure that load balancing is achieved within the routing instance.

Which two statements would accomplish this task? (Choose two.)

- A. Configure the multipath option at the [edit protocols bgp group <group-name> neighbor] hierarchy.
- B. Configure the multipath option at the [edit protocols bgp group] hierarchy.
- C. Configure a load-balance per-packet policy and apply it at the [edit routing-options forwarding-table] hierarchy.
- D. Configure the multipath option at the [edit routing-instances <instance-name> routing-options] hierarchy.

**Answer: A,B,D**

### Question: 146

You must ensure that all routes in the 10.0.0/8 address range are not advertised outside of your AS.

Which well-known BGP community should be assigned to these addresses to accomplish this task?

- A. no-export
- B. no-peer
- C. internet
- D. no-advertise

**Answer: A**

### Question: 147

You are asked to establish interface level authentication for users connecting to your network. You must ensure that only corporate devices, identified by MAC addresses, are allowed to connect and authenticate. Authentication must be handled by a centralized server to increase scalability.

Which authentication method would satisfy this requirement?

- A. MAC RADIUS
- B. captive portal
- C. 802.1X with single-secure supplicant mode
- D. 802.1X with multiple supplicant mode

**Answer: A**

### Question: 148

You are troubleshooting a BGP connection.

```
user@router> show log messages | match notification
Dec 22 19:22:29 router rpd[7394]: bgp_process_open:4185: NOTIFICATION sent to
192.168.1.4 (Internal AS 65000): code 2 (Open Message Error) subcode 2 (bad peer AS
number), Reason: peer 192.168.1.4 (Internal AS 65000) claims 65100, 65000 configured
Dec 22 19:22:33 router rpd[7394]: bgp_pp_rcv:4798: NOTIFICATION sent to 192.168.1.4+
56774 (proto): code 2 (Open Message Error) subcode 2 (bad peer AS number), Reason: no
group for 192.168.1.4+56774 (proto) from AS 65100 found (peer as mismatch)in master
(ge-0/0/1.0), dropping him
Dec 22 19:23:29 router kernel: tcp_auth_ok: Packet from 192.168.1.5:64047 missing MD5
digest
Dec 22 19:23:30 router kernel: tcp_auth_ok: Packet from 192.168.1.6:56201 missing MD5
digest
---(more)---
```

Referring to the exhibit, which two statements are correct? (Choose two.)

- A. Packet fragmentation is preventing the session from establishing.



- B. The 192.168.1.5 peer has a misconfigured MD5 key.
- C. The ge-0/0/1 interface is disabled.
- D. The 192.168.1.4 peer has a misconfigured autonomous system number.

**Answer: A,B,D**

**Question: 149**

You are deploying IP phones in your enterprise network that must receive their power through their Ethernet connection. You are using your EX Series switch's PoE ports that support IEEE 802.3af.

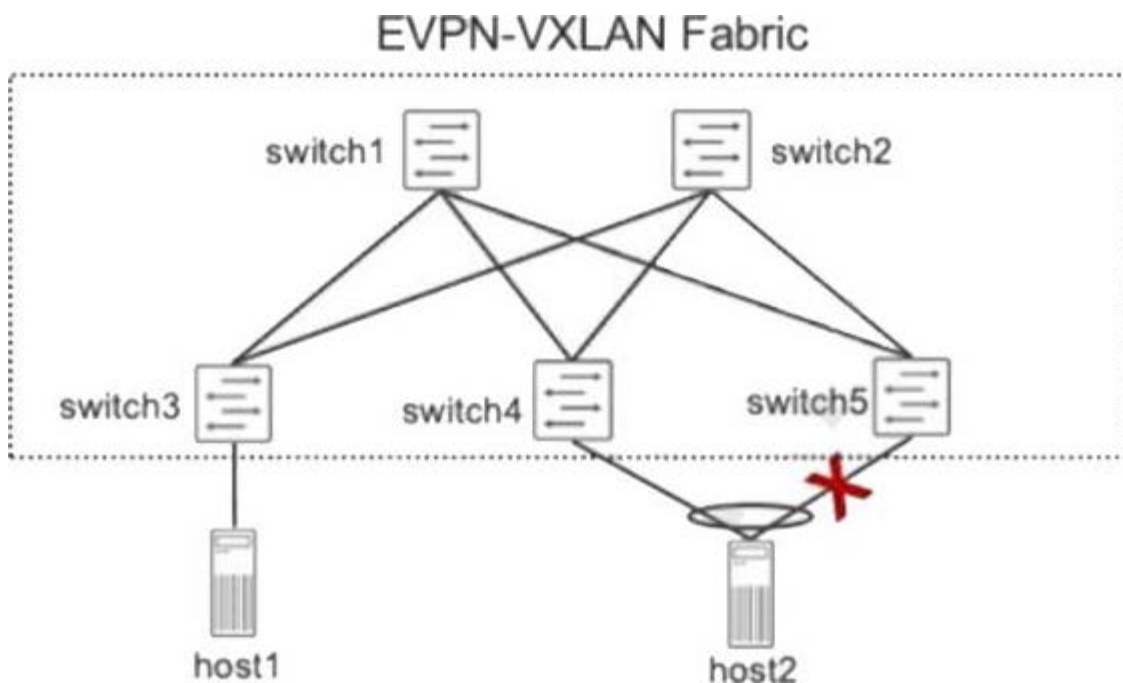
In this scenario, what is the maximum amount of power allocated to each interface?

- A. 10.2 W
- B. 15.4 W
- C. 30 W
- D. 50 W

**Answer: B**

**Question: 150**

Referring to the exhibit, which statement is correct when a failure exists on the link between host2 and switch5 on this EVPN-VXLAN fabric?



- A. The switch5 device will send a Type 2 route to all peers.
- B. The switch5 device will send a Type 4 route to all peers.
- C. The switch5 device will send a Type 1 route to all peers.
- D. The switch5 device will send a Type 3 route to all peers.

**Answer: D**

## Question: 151

Referring to the exhibit, which two statements are correct? (Choose two.)

```
user@leaf> show route table default-switch.evpn.0 detail
...
2:192.168.100.13:1::5010::00:0c:29:08:04:a0/304 MAC/IP (2 entries, 1 announced)
  *BGP Preference: 170/-101
    Route Distinguisher: 192.168.100.13:1
    Next hop type: Indirect, Next hop index: 0
    Address: 0xcd690bc
    Next-hop reference count: 12
    Source: 192.168.100.1
    Protocol next hop: 192.168.100.13
    Indirect next hop: 0x2 no-forward INH Session ID: 0x0
    State: <Secondary Active Int Ext>
    Local AS: 65000 Peer AS: 65000
    Age: 8:17 Metric2: 0
    Validation State: unverified
    Task: BGP_65000.192.168.100.1
    Announcement bits (1): 0-default-switch-evpn
    AS path: I (Originator)
    Cluster list: 1.1.1.1
    Originator ID: 192.168.100.13
    Communities: target:65000:5010 encapsulation:vxlan(0x8)
    Import Accepted
    Route Label: 5010
    ESI: 00:00:00:00:00:00:00:00:00
    Localpref: 100
    Router ID: 192.168.100.1
    Primary Routing Table: bgp.evpn.0
    Thread: junos-main
```

- A. The host that the route is associated with is multihomed to two leaf nodes.
- B. The route is a Type 1 EVPN route.
- C. The route is a Type 2 EVPN route.
- D. The host that the route is associated with is single-homed to one leaf node.

**Answer: A,B,D**

## Question: 152

Which three configuration parameters must match on all switches within the same MSTP region? (Choose three.)

- A. VLAN to instance mapping
- B. revision level
- C. configuration name
- D. bridge priority
- E. region name

**Answer: A,B,C**

## Question: 153

You recently committed a change to a router to reject OSPF routes sourced from area 10.

However, you are still seeing area 10 routes in the routing table.

Referring to the exhibit, which statement is correct?

```
[edit policy-options]
policy-statement advertise-ospf-routes {
  term find-ospf {
    from {
      protocol ospf;
    }
    then {
      accept;
    }
  }
  term reject-area-10 {
    from {
      protocol ospf;
      area 10;
    }
    then {
      reject;
    }
  }
}
```

- A. The OSPF protocol is first matched by find-ospf and accepted.
- B. The routes only timeout after 24 hours.
- C. The routes remain in the table until the device is rebooted.
- D. The routes remain in the table until the routing daemon is restarted.

**Answer: D**

**Question: 154**

Referring to the exhibit, traffic ingresses on interface ge-0/0/3 and egresses on interface ge-0/0/4.

```
[edit interfaces]
user@router# show
ge-0/0/3 {
  unit 0 {
    family inet {
      address 10.42.67.1/30;
    }
  }
}
ge-0/0/4 {
  unit 0 {
    family inet {
      filter {
        input cos;
      }
      address 10.42.16.1/30;
    }
  }
}
[edit class-of-service]
user@router# show
classifiers {
  inet-precedence cos {
    forwarding-class best-effort {
      loss-priority low code-points [ 000 001 010 011 ];
    }
    forwarding-class assured-forwarding {
      loss-priority low code-points 101;
    }
  }
}

user@router# show
classifiers {
  inet-precedence cos {
    forwarding-class best-effort {
      loss-priority low code-points [ 000 001 010 011 ];
    }
    forwarding-class assured-forwarding {
      loss-priority low code-points 101;
    }
    forwarding-class expedited-forwarding {
      loss-priority low code-points 100;
    }
    forwarding-class network-control {
      loss-priority low code-points [ 110 111 ];
    }
  }
}
```

```
forwarding-classes {
    queue 0 best-effort;
    queue 1 expedited-forwarding;
    queue 2 assured-forwarding;
    queue 3 network-control;
}
interfaces {
    ge-* {
        unit * {
            classifiers {
                inet-precedence default;
            }
        }
    }
    ge-0/0/4 {
        unit 0 {
            classifiers {
                inet-precedence cos;
            }
        }
    }
}
[edit firewall family inet]
user@router# show
filter cos {
    term 1 {
        from {
            precedence [ 0 2 5 ];
        }
        then {
            forwarding-class best-effort;
            accept;
        }
    }
    term 2 {
        from {
            precedence [ 1 4 ];
        }
        then {
            forwarding-class assured-forwarding;
            accept;
        }
    }
}
```

```

term 3 {
    from {
        precedence 3;
    }
    then {
        forwarding-class expedited-forwarding;
        accept;
    }
}
term 4 {
    from {
        precedence [ 6 7 ];
    }
    then {
        forwarding-class network-control;
        accept;
    }
}
}

```

[edit class-of-service]

user@router# run show class-of-service classifier name ipprec-default

Classifier: ipprec-default, Code point type: inet-precedence, Index: 12

Code point	Forwarding class	Loss priority
000	best-effort	low
001	assured-forwarding	low
010	best-effort	low
011	best-effort	low
100	best-effort	low
101	expedited-forwarding	low
110	network-control	low
111	network-control	high

Which queue does traffic with the IP precedence value of 100 use?

- A. network-control
- B. assured-forwarding
- C. best-effort
- D. expedited-forwarding

**Answer: D**

**Question: 155**

You are running OSPF as your IGP. The interfaces connecting two routers are in the ExStart state. You notice that something is incorrect with the configuration.

Referring to the exhibit, which statement is correct?

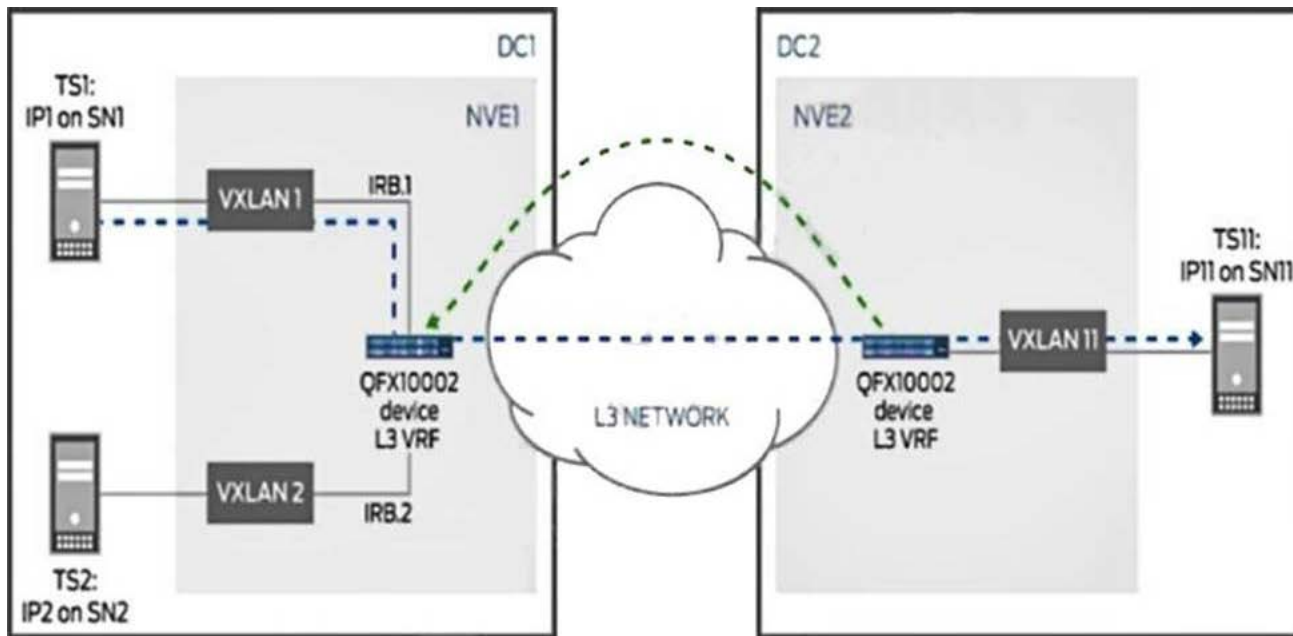
```
user@R2> show ospf neighbor
Address          Interface          State          ID              Pri  Dead
10.0.0.2         ge-0/0/2.0        ExStart       192.168.1.1    128  36
10.0.0.10        ge-0/0/3.0        Full          192.168.1.3    128  38
user@R2> show ospf interface ge-0/0/2.0 detail
Interface        State  Area          DR ID          BDR ID         Nbrs
ge-0/0/2.0       DR     0.0.0.0       192.168.1.2   192.168.1.1   1
  Type: LAN, Address: 10.0.0.1, Mask: 255.255.255.252, MTU: 1500, Cost: 1
  DR addr: 10.0.0.1, BDR addr: 10.0.0.2, Priority: 128
  Adj count: 0
  Hello: 10, Dead: 40, ReXmit: 5, Not Stub
  Auth type: None
  Protection type: None
  Topology default (ID 0) -> Cost: 1
user@R1> show ospf interface ge-0/0/2.0 detail
Interface        State  Area          DR ID          BDR ID         Nbrs
ge-0/0/2.0       BDR   0.0.0.0       192.168.1.2   192.168.1.1   1
  Type: LAN, Address: 10.0.0.2, Mask: 255.255.255.252, MTU: 9164, Cost: 1
  DR addr: 10.0.0.1, BDR addr: 10.0.0.2, Priority: 128
  Adj count: 0
  Hello: 10, Dead: 40, ReXmit: 5, Not Stub
  Auth type: None
  Protection type: None
  Topology default (ID 0) -> Cost: 1
```

- A. The subnet mask is incorrect.
- B. The MTU setting are incorrect.
- C. The interface type is incorrect.
- D. The IP addresses are incorrect.

**Answer: D**

**Question: 156**

The connection between DC1 and DC2 is routed as shown in the exhibit.



In this scenario, which statement is correct?

- A. The border devices must be able to perform Layer 3 routing and provide IRB functionality.
- B. L3VPN must be enabled to advertise reachability.
- C. An IP prefix route provides encoding for intra-subnet forwarding.
- D. Type 2 and Type 5 routes will be exchanged between DC1 and DC2.

**Answer: A**

**Question: 157**

You are asked to enforce user authentication using a captive portal before users access the corporate network.

Which statement is correct in this scenario?

- A. HTTPS is the default protocol for a captive portal.
- B. A captive portal can be bypassed using an allowlist command containing a device's IP address.
- C. When enabled, a captive portal must be applied to each individual interface.
- D. All Web browser requests are redirected to the captive portal until authentication is successful.

**Answer: D**





# SAMPLE QUESTIONS

*These questions are for demo purpose only. **Full version is up to date and contains actual questions and answers.***

*Killexams.com is an online platform that offers a wide range of services related to certification exam preparation. The platform provides actual questions, exam dumps, and practice tests to help individuals prepare for various certification exams with confidence. Here are some key features and services offered by Killexams.com:*

**Actual Exam Questions:** *Killexams.com provides actual exam questions that are experienced in test centers. These questions are updated regularly to ensure they are up-to-date and relevant to the latest exam syllabus. By studying these actual questions, candidates can familiarize themselves with the content and format of the real exam.*

**Exam Dumps:** *Killexams.com offers exam dumps in PDF format. These dumps contain a comprehensive collection of questions and answers that cover the exam topics. By using these dumps, candidates can enhance their knowledge and improve their chances of success in the certification exam.*

**Practice Tests:** *Killexams.com provides practice tests through their desktop VCE exam simulator and online test engine. These practice tests simulate the real exam environment and help candidates assess their readiness for the actual exam. The practice tests cover a wide range of questions and enable candidates to identify their strengths and weaknesses.*

**Guaranteed Success:** *Killexams.com offers a success guarantee with their exam dumps. They claim that by using their materials, candidates will pass their exams on the first attempt or they will refund the purchase price. This guarantee provides assurance and confidence to individuals preparing for certification exams.*

**Updated Content:** *Killexams.com regularly updates its question bank and exam dumps to ensure that they are current and reflect the latest changes in the exam syllabus. This helps candidates stay up-to-date with the exam content and increases their chances of success.*

**Technical Support:** *Killexams.com provides free 24x7 technical support to assist candidates with any queries or issues they may encounter while using their services. Their certified experts are available to provide guidance and help candidates throughout their exam preparation journey.*

For More exams visit <https://killexams.com/vendors-exam-list>  
*Kill your exam at First Attempt....Guaranteed!*